

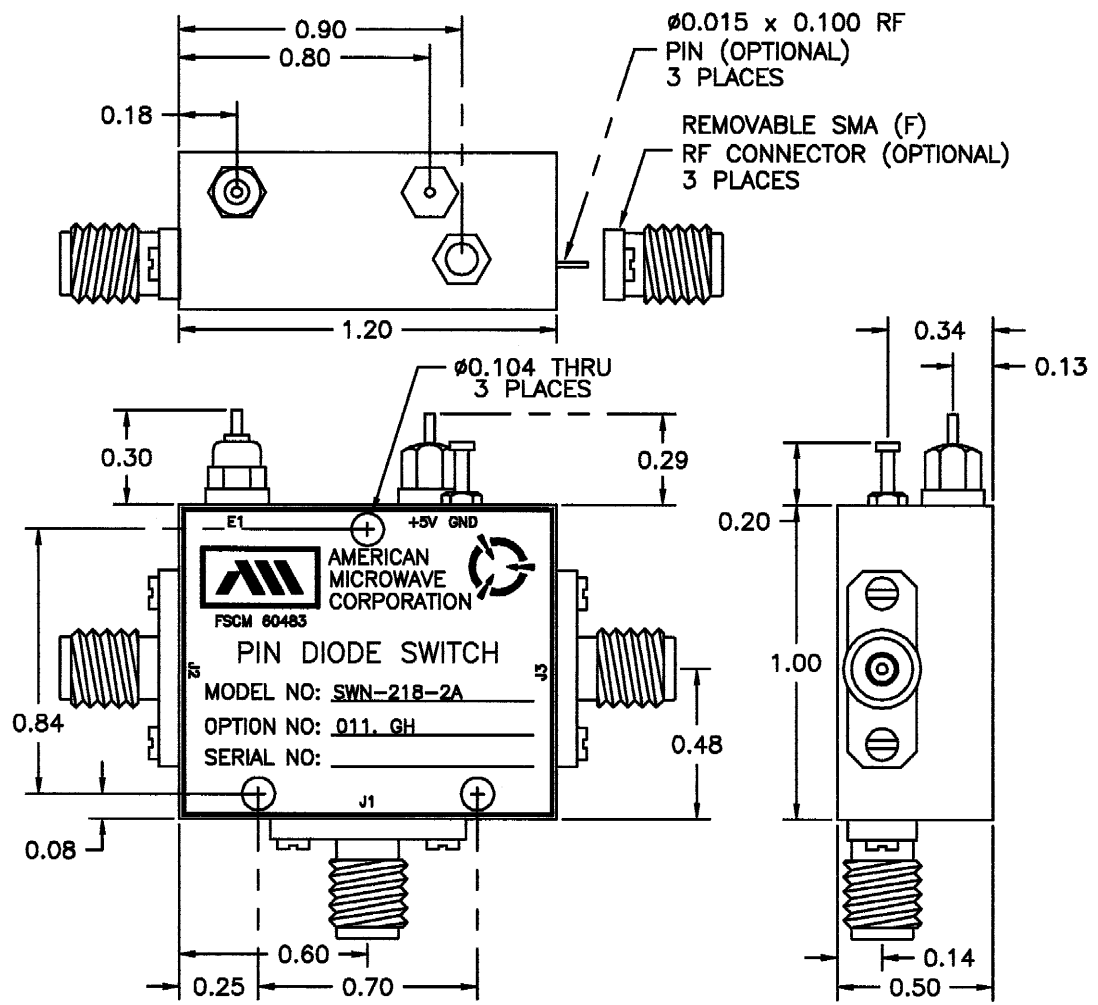
DESCRIPTION:

AMC MODEL SWN-218-2A OPTION 011, GH IS A SINGLE SUPPLY, SINGLE POLE TWO THROW, ABSORPTIVE SWITCH MODULE WITH VERY LOW INSERTION LOSS AND WITH INTEGRAL TTL DRIVER, DESIGNED FOR 0.5 GHz TO 10 GHz OPERATION.

REVISIONS				
ZONE	REV.	DESCRIPTION	DATE	APPROVED
		ORIGINAL RELEASE	6/20/99	

SPECIFICATIONS:

- FREQUENCY: 0.5 GHz TO 10 GHz
- INSERTION LOSS: 3.5dB MAXIMUM
- ISOLATION: 30 dB MINIMUM
- VSWR: IN/OUT: 2.0:1 MAXIMUM
OUT/OFF: 2.0:1 MAXIMUM
- SPEED: RISE/FALL: 75ns MAXIMUM
- CONTROL: TTL LOGIC "0"= J1-J2 ON "1"= J1-J3 ON
- POWER SUPPLY: +5V @ 65 mA MAX.
- SIZE: (L) 1.2" X (W) 1.0" X (H) 0.5"
- WEIGHT: APRX. 1.50 OUNCES



ENVIRONMENTAL RATINGS:

- TEMPERATURE: -55°C TO +85°C (OPERATING)
..... -65°C TO +125°C (STORAGE)
- HUMIDITY: MIL-STD-202F, METHOD 103B COND. B
- SHOCK: MIL-STD-202F, METHOD 213B COND. B
- VIBRATION: MIL-STD-202F, METHOD 204D COND. B
- ALTITUDE: MIL-STD-202F, METHOD 105C COND. B
- TEMPERATURE CYCLE: MIL-STD-202F, METHOD 107D COND. A

ALL DIMENSIONS ARE IN INCHES
TOLERANCES:

X.XX	±0.020
X.XXX	±0.010

NOTE: THE ABOVE SPECIFICATIONS ARE SUBJECT TO CHANGE OR REVISION

APPROVALS		DATE	AMERICAN MICROWAVE CORPORATION FREDERICK, MARYLAND	
DRAWN		6/20/99	TITLE	
WSP			OUTLINE DRAWING	
CHECKED			SWN-218-2A OPTION 011, GH	
ISSUED			SOLID STATE SWITCH	
SIZE	FSCM NO.	DWG NO.	REV.	
A	60483	100-4427-4		
SCALE	N/S	SHEET	1 of 2	